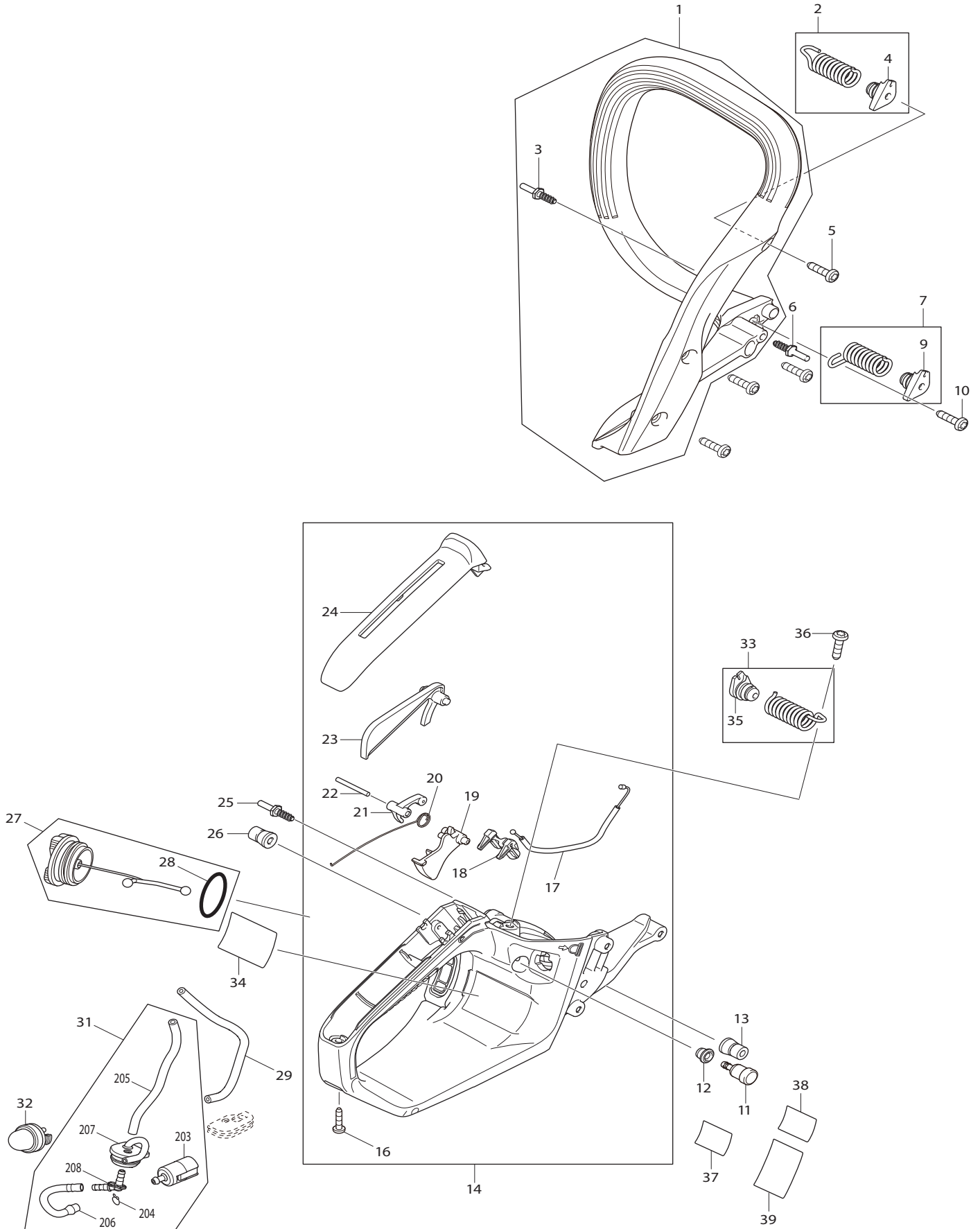
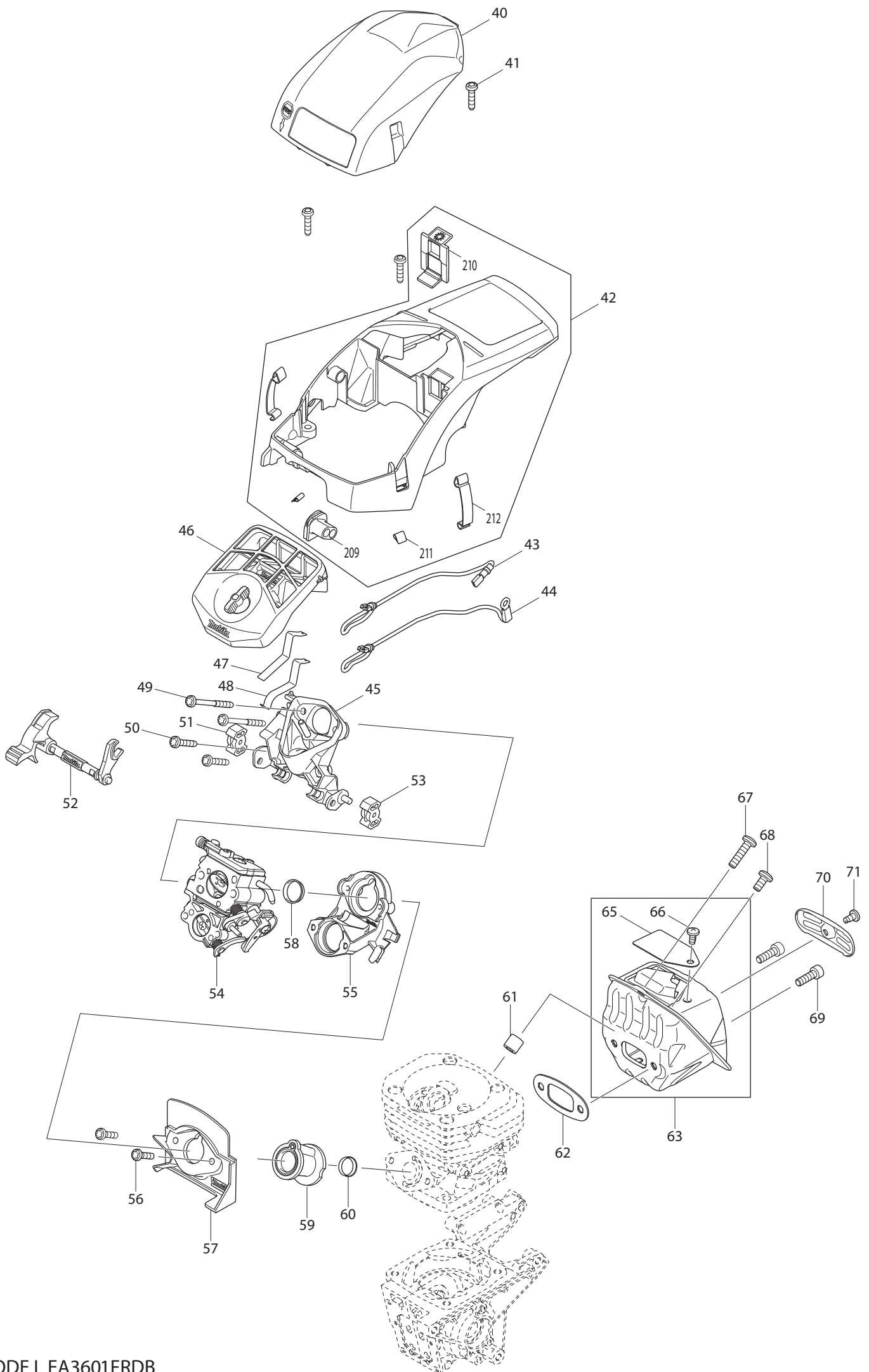
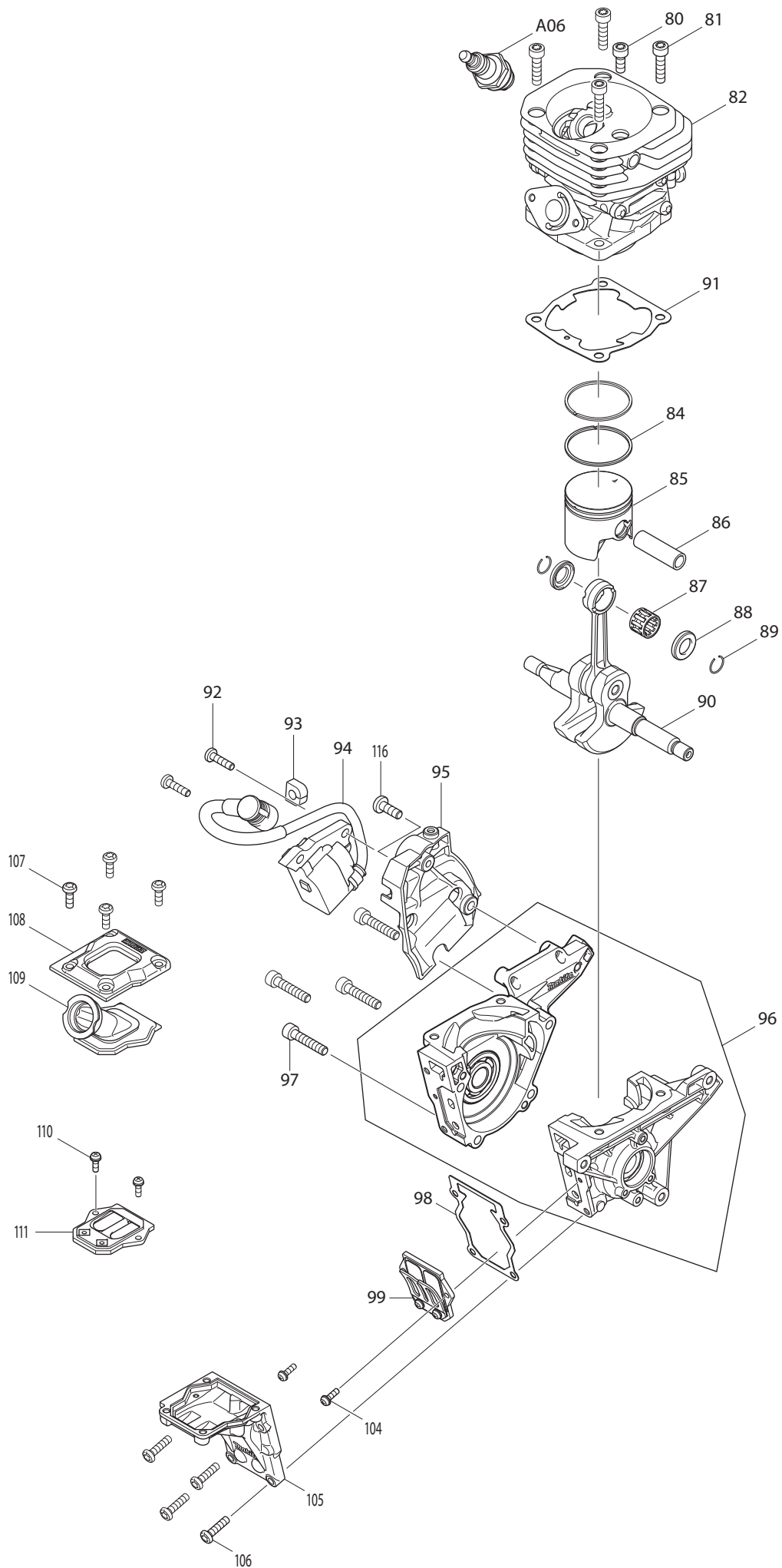


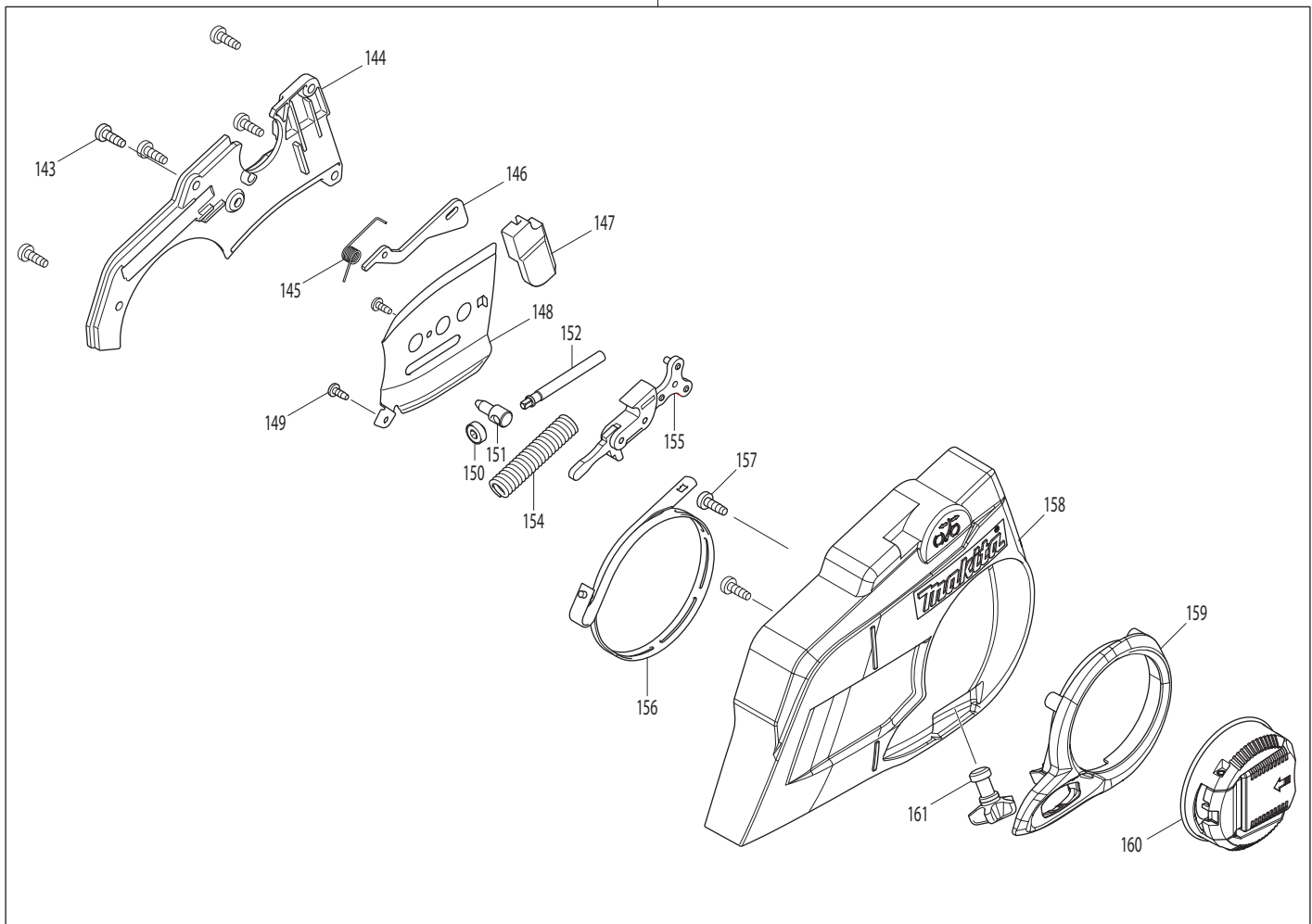
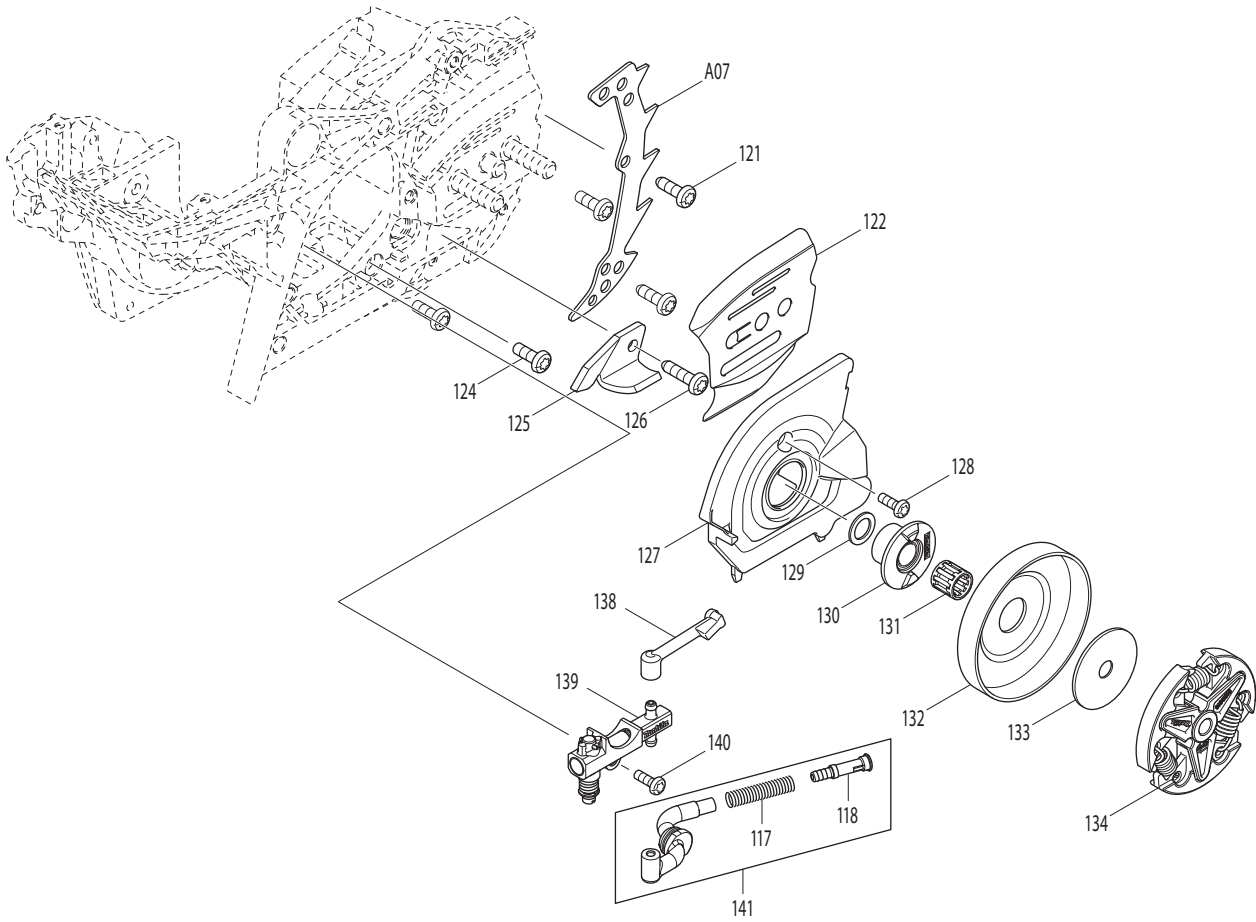


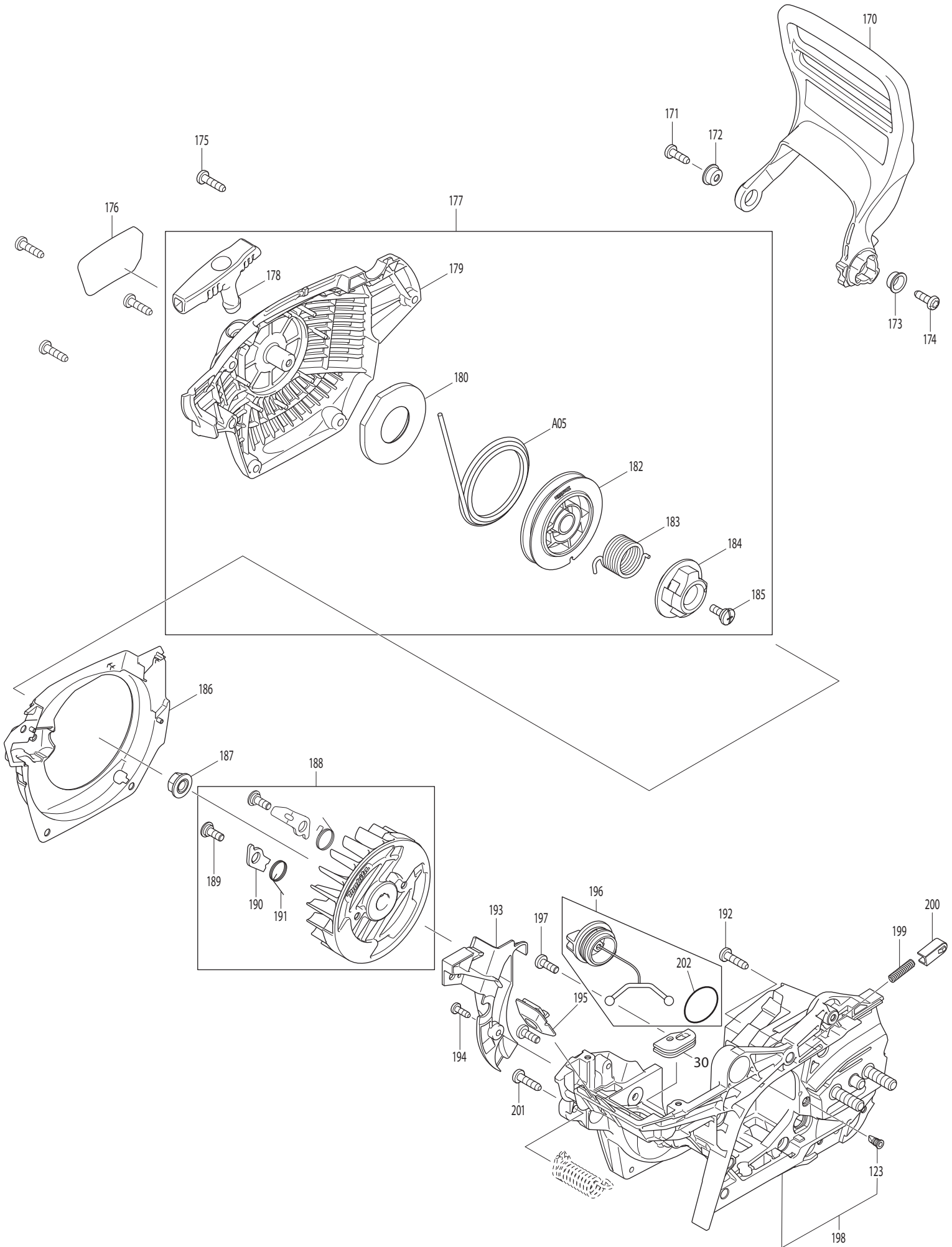
06 - 2016
EA3601FRDB
35.2cc 2 Stroke Chainsaw
16" Bar, 3/8" 50G, Orange

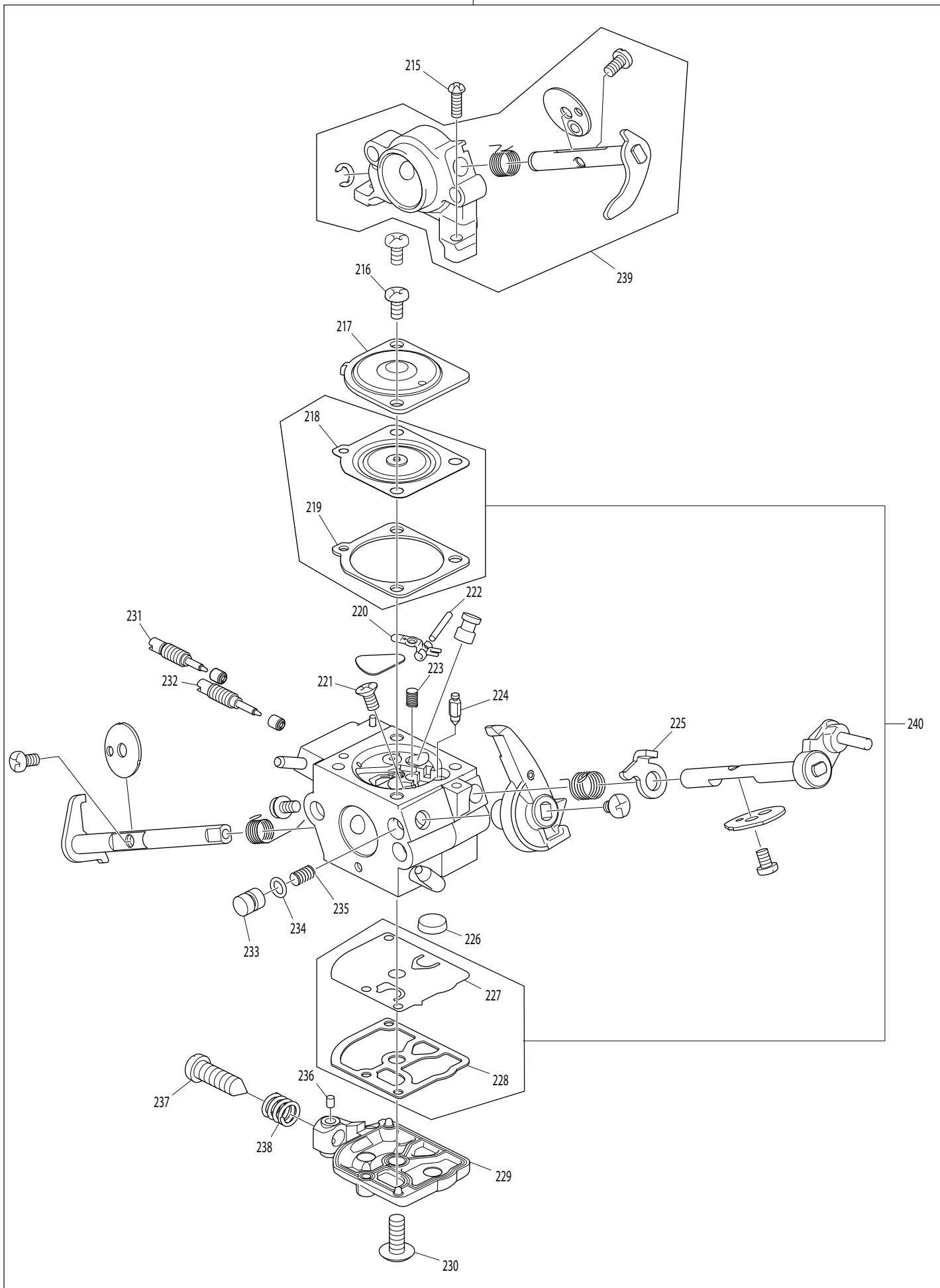












Item No	Type	Sub	Part No	Description	Qty	Unit
001			142225-1	FRONT HANDLE COMPLETE	1	PC.
		INC.		Item No. 3		
002			142226-9	DAMPER SPRING R COMPLETE	1	PC.
		INC.		Item No. 4		
003			326339-6	STOPPER PIN	1	PC.
004			454506-4	SPRING HOLDER	1	PC.
005			266856-3	TORX (HEXLOBULAR) TAPPING SCREW 5X20	4	PC.
006			326339-6	STOPPER PIN	1	PC.
007			142227-7	DAMPER SPRING F COMPLETE	1	PC.
		INC.		Item No. 9		
009			454506-4	SPRING HOLDER	1	PC.
010			266856-3	H.L. TAPPING SCREW 5X20	1	PC.
011			168396-6	BREATHER	1	PC.
012			424576-7	GROMMET	1	PC.
013			424577-5	SIDE STOPPER	1	PC.
014			126346-7	RIGHT HANDLE ASSEMBLY	1	PC.
		INC.		Item No. 16-24		
016			266858-9	H.L. TAPPING SCREW 4X18	1	PC.
017			168812-8	THROTTLE CABLE	1	PC.
018			454501-4	CABLE BRACKET	1	PC.
019			454499-5	THROTTLE LEVER	1	PC.
020			233606-1	RETURN SPRING	1	PC.
021			454500-6	CABLE PULL LEVER	1	PC.
022			268187-6	PIN 3	1	PC.
023			454502-2	LOCKOUT LEVER	1	PC.
024			454503-0	GRIP COVER	1	PC.
025			326339-6	STOPPER PIN	1	PC.
026			424577-5	SIDE STOPPER	1	PC.
027			168823-3	TANK CAP COMPLETE	1	PC.
		INC.		Item No. 28		
028			213080-9	O RING 29.5	1	PC.
029			422116-5	JOINT PIPE	1	PC.
030			424573-3	DUST GROMMET	1	PC.
031			126347-5	FUEL PIPE ASSEMBLY	1	PC.
		INC.		Item No. 203-208		
032			168398-2	PRIMER PUMP	1	PC.
033			142226-9	DAMPER SPRING R COMPLETE	1	PC.
		INC.		Item No. 35		
034			814S96-7	NAME PLATE F/EA3601F	1	PC.
035			454506-4	SPRING HOLDER	1	PC.
036			266856-3	H.L. TAPPING SCREW 5X20	1	PC.
040			142240-5	CLEANER COVER COMPLETE	1	PC.
		INC.	263002-9	RUBBER PIN 4	1	PC.
041			266858-9	H.L. TAPPING SCREW 4X18	3	PC.
042			126367-9	CYLINDER COVER ASSEMBLY	1	PC.
		INC.	801Y90-4	CAUTION LABEL	1	PC.
		INC.		Item No. 209-212		
043			632A97-3	SWITCH CORD	1	PC.
044			632A98-1	EARTH CORD	1	PC.
045	2		457411-4	MANIFOLD	1	PC.
046			126370-0	CLEANER ASSEMBLY	1	PC.
		INC.	454537-3	KNOB	1	PC.
047			346704-3	EARTH PLATE	1	PC.
048			346705-1	SWITCH SPRING	1	PC.
050			266861-0	H.L. TAPPING SCREW 4X22	2	PC.
051			424582-2	DAMPER	1	PC.
052			454533-1	SWITCH LEVER	1	PC.
053			424582-2	DAMPER	1	PC.
054	2		161633-7	* CARBURETOR ASSEMBLY	1	PC.
		INC.		* Item No. 215-239		
	3		161914-9	* CARBURETOR ASSEMBLY	1	PC.

Item No	Type	Sub	Part No	Description	Qty	Unit
		INC.		* Item No. 215-239		
055			454531-5	BRACKET	1	PC.
056			266848-2	H.L.HEAD BIND BOLT M4X16	2	PC.
057			454488-0	BUFFLE PLATE	1	PC.
058			332074-6	INNER RING	1	PC.
059			424571-7	INLET PIPE	1	PC.
060			332075-4	INNER RING	1	PC.
061			326304-5	SPACER	1	PC.
062			413164-5	MUFFLER GASKET	1	PC.
063	1		126342-5	* MUFFLER ASSEMBLY	1	PC.
		INC.		* Item No. 65,66		
	2		126936-6	* MUFFLER ASSEMBLY	1	PC.
		INC.		* Item No. 65,66		
065			352023-7	SCREEN	1	PC.
066			266796-5	TAPPING SCREW 4X8	1	PC.
067			266851-3	H.L.BIND BOLT M5X20	1	PC.
068			266850-5	H.L.BIND BOLT M5X10	1	PC.
069			266849-0	H.L.SOCKET HEAD BOLT M5X16	2	PC.
070			346691-6	DUST COVER	1	PC.
071			266936-5	H.L.BIND BOLT M4X8	1	PC.
080			266859-7	H.L.SOCKET HEAD BOLT M5X12	1	PC.
081			266847-4	H.L.SOCKET HEAD BOLT M5X20	4	PC.
082			142223-5	CYLINDER COMPLETE	1	PC.
084			257365-3	PISTON RING	2	PC.
085			319023-0	PISTON	1	PC.
086			268331-5	PISTON PIN	1	PC.
087			212127-6	NEEDLE CAGE 1011	1	PC.
088			346698-2	THRUST WASHER	2	PC.
089			234307-4	RETAINING RING	2	PC.
090			142229-3	CRANK SHAFT COMPLETE	1	PC.
091			413163-7	BASE GASKET	1	PC.
092			266848-2	H.L.HEAD BIND BOLT M4X16	2	PC.
093			424581-4	GROMMET	1	PC.
094			126350-6	IGNITION COIL ASSEMBLY	1	PC.
		INC.	424580-6	PLUG CAP	1	PC.
095			454520-0	PLATE	1	PC.
096			142224-3	CRANK CASE COMPLETE	1	PC.
		INC.	213697-8	OIL SEAL	2	PC.
097			266852-1	H.L.SOCKET HEAD BOLT M5X25	4	PC.
098			413165-3	GASKET	1	PC.
099	2		123924-4	REED VALVE	1	PC.
104			911013-5	PAN HEAD SCREW M3X10	2	PC.
105			319022-2	REED VALVE COVER	1	PC.
106			266848-2	H.L.HEAD BIND BOLT M4X16	4	PC.
107			266846-6	H.L.BIND BOLT M4X12	4	PC.
108			454489-8	BRACKET	1	PC.
109			424572-5	AIR BOOT	1	PC.
110			911013-5	PAN HEAD SCREW M3X10	2	PC.
111	2		123923-6	REED VALVE	1	PC.
116			251500-5	H.L. BIND BOLT M5X14	1	PC.
117			234207-8	COMPRESSION SPRING 6	1	PC.
118			452666-6	NIPPLE	1	PC.
121			266857-1	H.L. TAPPING SCREW 5X16	2	PC.
122			346694-0	GUIDE PLATE ES	1	PC.
123			421298-0	CHECK VALVE	1	PC.
124			266854-7	H.L. BIND BOLT M5X14	3	PC.
125			346722-1	CHAIN CATCHER	1	PC.
126			266856-3	H.L. TAPPING SCREW 5X20	1	PC.
127			454509-8	PUMP COVER	1	PC.
128			266846-6	H.L.BIND BOLT M4X12	1	PC.
129			267047-9	FLAT WASHER 10	1	PC.
130			221427-3	WORM GEAR	1	PC.

Item No	Type	Sub	Part No	Description	Qty	Unit
131			212129-2	NEEDLE CAGE 1013	1	PC.
132			165725-4	CLUTCH DRUM COMPLETE	1	PC.
133			346693-2	BACK PLATE	1	PC.
134			126348-3	CLUTCH ASSEMBLY	1	PC.
		INC.	231883-9	TENSION SPRING 8	3	PC.
138			424579-1	OIL PIPE, OUT	1	PC.
139			142156-4	OIL PUMP COMPLETE	1	PC.
140			266846-6	H.L.BIND BOLT M4X12	1	PC.
141			126349-1	OIL PIPE ASSEMBLY	1	PC.
		INC.		Item No. 117,118		
142			123551-7	CHAIN COVER ASSEMBLY	1	PC.
		INC.		Item No. 143-152,154-161		
143			266855-5	H.L. TAPPING SCREW 4X12	5	PC.
144			454515-3	SPRING COVER	1	PC.
145			233607-9	TORSION SPRING 6	1	PC.
146			346702-7	LEVER	1	PC.
147			313265-8	WEIGHT	1	PC.
148			346699-0	GUIDE PLATE CS	1	PC.
149			266166-8	TAPPING SCREW CT 3X8	1	PC.
150			227496-2	STRAIGHT BEVEL GEAR 14	1	PC.
151			326310-0	ADJUST PIN	1	PC.
152			326312-6	ADJUST SCREW	1	PC.
154			234304-0	COMPRESSION SPRING 7	1	PC.
155			142234-0	LEVER COMPLETE	1	PC.
156			143383-6	BRAKE BAND COMPLETE	1	PC.
157			266855-5	H.L. TAPPING SCREW 4X12	2	PC.
158			456615-5	CHAIN COVER	1	PC.
159			454519-5	NUT COVER	1	PC.
160			142235-8	NUT COMPLETE	1	PC.
161			142288-7	WHEEL COMPLETE	1	PC.
		INC.	213011-8	O RING 7	1	PC.
170			142351-6	FRONT GUARD COMPLETE	1	PC.
		INC.	802E01-2	CAUTION LABEL	1	PC.
171			266857-1	H.L. TAPPING SCREW 5X16	1	PC.
172			346697-4	HOLDER	1	PC.
173			346697-4	HOLDER	1	PC.
174			266857-1	H.L. TAPPING SCREW 5X16	1	PC.
175			266856-3	H.L. TAPPING SCREW 5X20	4	PC.
176			801Y96-2	MODEL NO. LABEL F/EA3601F	1	PC.
177			126352-2	RECOIL STARTER ASSEMBLY	1	PC.
		INC.		Item No. 178-180,183-185, A05		
178			454522-6	STARTER GRIP	1	PC.
179			142238-2	STARTER CASE COMPLETE	1	PC.
180			SG00000020	SPRING ASSEMBLY	1	PC.
182			454523-4	REEL	1	PC.
183			SG00000023	DAMPER SPRING	1	PC.
184			454524-2	RATCHET WHEEL	1	PC.
185			266777-9	TAPPING SCREW 5X12	1	PC.
186			142213-8	FAN COVER COMPLETE	1	PC.
187			264094-1	HEX NUT M8-12 WITH CORNED WASHER	1	PC.
188			142236-6	FLYWHEEL COMPLETE	1	PC.
		INC.		Item No. 189-191		
189			266866-0	H.L.SOCKET HEAD BOLT M5X12	2	PC.
190			346703-5	RATCHET	2	PC.
191			233609-5	TORSION SPRING 15	2	PC.
192			266856-3	H.L. TAPPING SCREW 5X20	1	PC.
193			454493-7	AIR GUIDE PLATE	1	PC.
194			266855-5	H.L. TAPPING SCREW 4X12	1	PC.
195			424574-1	DUMPER STOPPER	1	PC.
196			168508-1	TANK CAP COMPLETE	1	PC.
		INC.		Item No. 202		

Item No	Type	Sub	Part No	Description	Qty	Unit
197			266854-7	H.L. BIND BOLT M5X14	2	PC.
198			135661-8	ENGINE CASE ASS'Y	1	PC.
		INC.		Item No. 123		
199			234210-9	COMPRESSION SPRING 3	1	PC.
200			313212-9	HAND GUARD GUIDE	1	PC.
201			266856-3	H.L. TAPPING SCREW 5X20	1	PC.
202			213355-6	O RING 25	1	PC.
203			163518-3	GASOLINE FILTER	1	PC.
204			282020-8	HOSE CLAMP	1	PC.
205			422113-1	OUTER FUEL PIPE	1	PC.
206			422114-9	INNER FUEL PIPE	1	PC.
207			424575-9	GROMMET	1	PC.
208			454508-0	HOSE JOINT	1	PC.
209			424595-3	NEEDLE GUIDE	1	PC.
210			454496-1	SHUTTER PLATE	1	PC.
211			232284-4	LEAF SPRING	2	PC.
212			346696-6	HOOK	2	PC.
215			ZJ00000063	SCREW F/CARBURETOR	1	PC.
216			ZJ00000014	SCREW WITH SERRATION	2	PC.
217			ZJ00000055	COVER, METERING	1	PC.
218			ZJ00000058	DIAPHRAGM ASS'Y, METERING	1	PC.
219			ZJ00000011	GASKET, METERING CHAMBER	1	PC.
220			ZJ00000006	LEVER	1	PC.
221			ZJ00000009	SCREW, METERING LEVER PIN	1	PC.
222			ZJ00000008	PIN	1	PC.
223			ZJ00000010	SPRING, METERING LEVER	1	PC.
224			ZJ00000007	VALVE, INLET NEEDLE	1	PC.
225			ZJ00000048	CHOKE LEVER	1	PC.
226			ZJ00000003	STRAINER	1	PC.
227			ZJ00000029	DIAPHRAGM PUMP	1	PC.
228			ZJ00000016	GASKET, PUMP	1	PC.
229			ZJ00000056	COVER, PUMP	1	PC.
230			ZJ00000020	SCREW, PUMP COVER	1	PC.
231			ZJ00000051	SCREW, MAIN MIXTURE	1	PC.
232			ZJ00000050	SCREW, IDLE MIXTURE	1	PC.
233			ZJ00000074	PLUNGER	1	PC.
234			ZJ00000054	O RING	1	PC.
235			ZJ00000073	SPRING	1	PC.
237			ZJ00000061	SCREW, THROTTLE ADJUST	1	PC.
238			ZJ00000068	SPRING, ADJUST SCREW	1	PC.
239			ZJ00000075	AIR HEAD KIT	1	PC.
240			ZJ00000076	GASKET AND DIAPHRAGM KIT	1	PC.
409			266860-2	H.L. TAPPING SCREW 4X45	2	PC.
E01			347558-1	* HEAT PROTECTION FOIL (added)	1	PC.

ACCESSORIES

- Visit www.makita.ca for more accessories information -

A01			165202-6	16" SPROCKET GUIDE BAR 3/8" GAUGE	1	PC.
A02			419560-5	CHAIN COVER 16", 3/8"	1	PC.
A03			782027-9	BOX WRENCH	1	PC.
A04	2		196444-1	3/8" LOW KICKBACK SAFETY CHAIN 50G 16"	1	PC.
	3		196208-3	3/8" LOW KICKBACK SAFETY CHAIN 50G 16"	1	PC.
A05			SG00000025	STARTER ROPE	1	PC.
A06			649500-1	SPARK PLUG (BPMR8Y)	1	PC.
A07			346695-8	SPIKE BUMPER	1	PC.
A08			----	CHAINSAW ACCESSORIES		

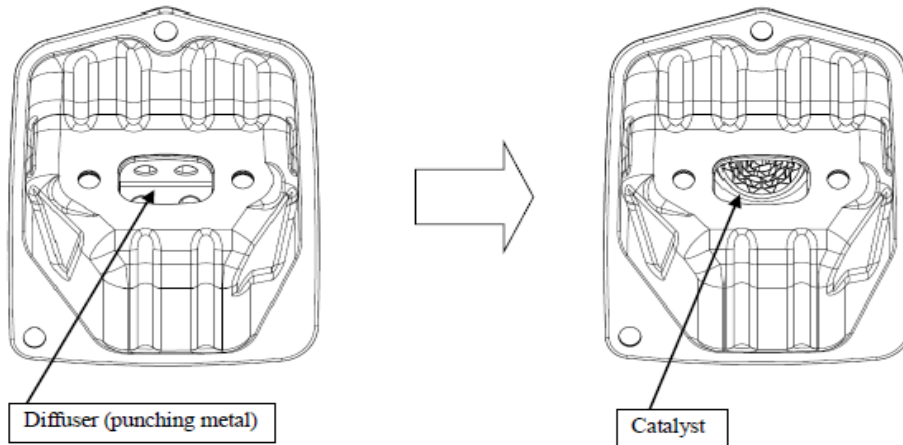
SERVICE CHANGES

1. Changes on Muffler Assy and Carburetor, Addition of Heat Protection Foil

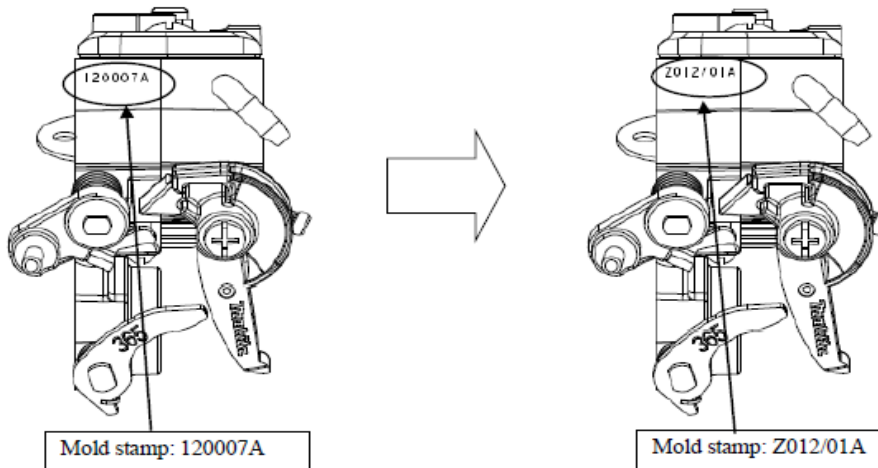
Item No.	Description	(B5832)		(D0294)
		Type 1	Type 2	Type 3
063	MUFFLER ASSY	126342-5	126342-5	126936-6
054	CARBURETOR ASSY	168819-4	161633-7	161914-9
E01	HEAT PROTECTION FOIL	-----	-----	347558-1

Above parts are completely interchangeable as a set.

[1] Diffuser of Muffler assembly will be changed to Catalyst.



[2] Carburetor assembly will be changed because of the change of Muffler assembly.
(Component parts of Carburetor assembly will not be changed.)



[3] Heat protection foil will be added to prevent Engine case from discoloring caused by the radiation heat temperature rise.

